



# Canoe Rack Building Project

Eagle Project

## My Troop

I currently work with Troop 401, which is based in the Saint James Church:

- Troop of around 14 people
- I have been in the troop for 6 years
- I am one of the boys that leads the troop
- I have lived in Merrimack my entire life



## Purpose of the Project

The purpose of this project is to give people in Merrimack a place to put their canoes or kayaks in a place that is next to the water allowing for easy use of their boat:

- Gives Wasserman park another source of revenue
- It will satisfy the requests of citizens in Merrimack for this



Location





# The Building Process





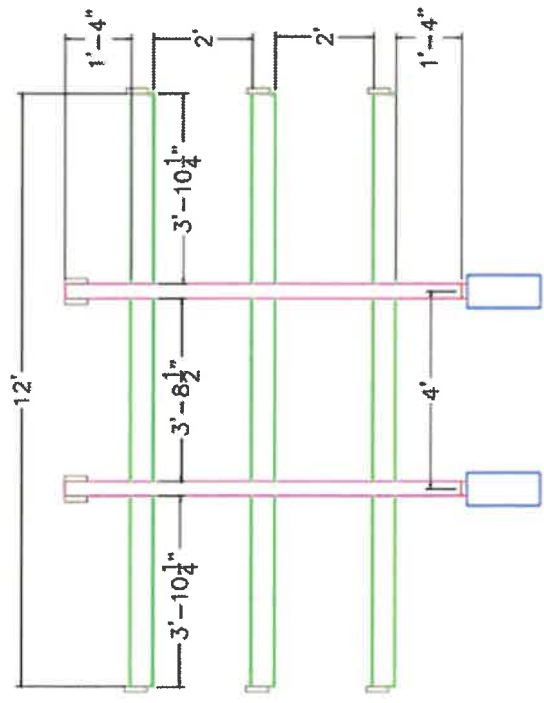
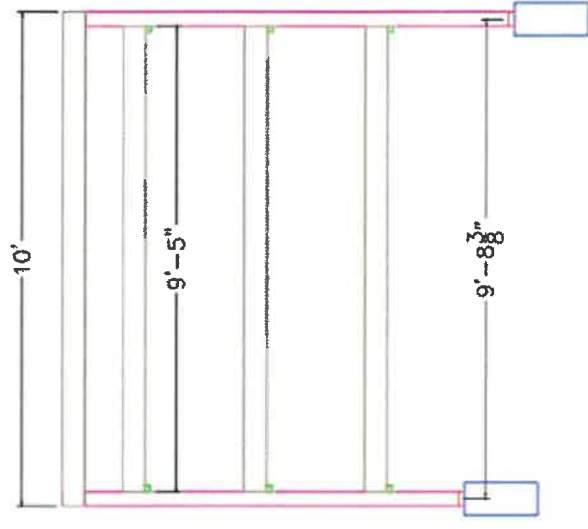


## Building the Canoe Rack

The Canoe Rack itself will be an improved version of the Canoe Rack currently used:

- Instead of holding 6 canoes this can hold 9
- Wood will be used on the sides to prevent boats from falling off
- Wood pieces will be run from one end of the canoe rack to the other in the center area to act as a guide for the canoes
- The wooden pillars that hold up the structure will be cemented 30in down
- Eye hooks will be installed to allow users to lock their boat down







## Digging the Holes

To dig the holes that cement will be poured in I would greatly appreciate if the Town would be able to use an auger to easily dig four 30in deep holes:

- I will premark the locations of where the holes need to be dug
- I will contact someone to schedule digging once the project is approved



## Fundraising

I will be doing a car wash to obtain the revenue I will need for the project:

- The project will cost around \$690
- The car wash will happen at Saint James Church
- The scouts of my troop will help with the fundraiser
- The town advertising the event is helpful
- The town will not be paying anything for the materials of the project



Thank you for listening